

Executive Director Report



UTA Recognition - TRAX Ambassadors





TRAX Ambassador Team Recognition:

TJ Aiolupotea

Marcy Richards

Kylee-Amber Sykes



Continuous Improvement Excellence Award

Meadowbrook Maintenance



UTA 



CI
EXCELLENCE
AWARD





Meadowbrook Maintenance

a 4-year journey

Problem

- **Suboptimal Working Conditions**
(Dark, Dingy, Unsafe, High Turnover)

Solution

- **CI training & teamwork**
- **100+ ideas implemented**
- **Major Shop Improvements** to brake pits, wash bays, warehouse, fluids and more

Results

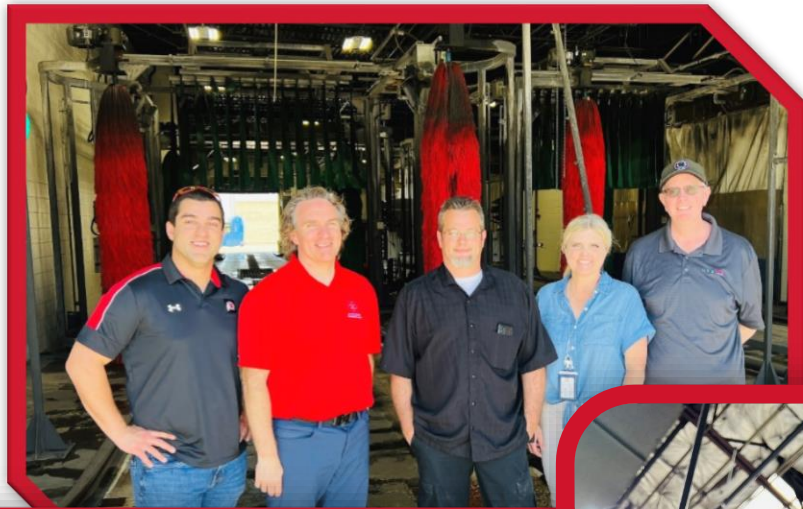
100%

retention in 2024

2X

productivity

Agenda Item 6.a.





Meadowbrook 3D Printing

Problem

- Safety issues due to seat belt alarms breaking

Solution

- Created a 3D printed alarm cover
- Designed multiple iterations
- **Eliminated waste** and improved **driver safety**

Results

\$4,074

in annual
savings

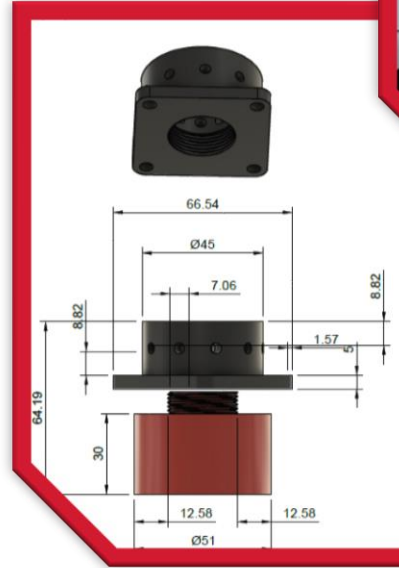
NO

damaged alarms
since implementation

before



after



Strategic Plan Minute





Strategic Plan Minute

9/11/24



Agenda Item 6.b.



Building Community Support

Strategic Communications Plan

- Finalized UTA Strategic Communications Plan
- Hired a UTA Public Information Officer
- Increased UTA storytelling via social media



Search



An Unprecedented Study: Monitoring Air Quality Using TRAX and Electric Buses



Utah Transit Authority

7,964 followers

2w · 🌐

Last week, UTA celebrated the 34th anniversary of the Americans with Disabilities Act (ADA). This groundbreaking legislation continues to empower members of the disability community with equal access and opportunity and remains a cornerstone of civil rights in the U.S.

To better meet the needs of our community members, UTA has created a citizen advisory group called the Committee on Accessible Transportation (CAT). The CAT plays a crucial role in advising UTA on accessibility issues within our system. Members' unique perspectives and insights are instrumental in our continuous efforts to improve rider experiences, making each journey more comfortable and enjoyable.

[#ADA34](#) [#WeMoveYou](#) [#RideUTA](#)
[#americanswithdisabilitiesact](#)

